

## MTS-638

### SPECIFICATIONS

Output Voltage	3-15V DC
Output Current (Continuous)	25A
Output Current Limit	30A
Ripple & Noise	< 10mV r.m.s.
Line Regulation	15mV
Load Regulation (0-100% Load)	100mV
Power Source	230V AC / 50Hz
Meters Type	Analog Meters
Cooling Fan	Yes
Dimensions (W x H x D)	150 x 145 x 300 mm
Weight (Approx.)	9kg

## ANALOG

### OPERATION

#### A. Connection

1. Turn OFF the unit and the equipment.
2. Connect the equipment to the unit. Positive polarity to red (+) and negative polarity to black (-).
3. Turn ON the unit first and then turn ON the equipment.
4. When an operation is finished, turn OFF the equipment first and then turn OFF the unit.

#### B. Installation

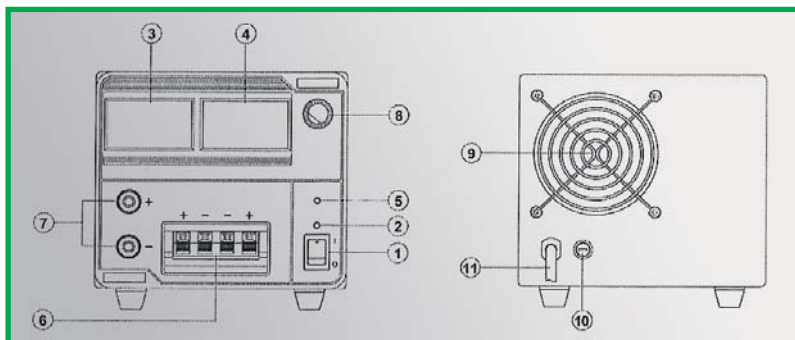
1. Place the unit in a location where allows free air circulation.
2. DO NOT place the unit in high humid, dusty and / or sunshiny places.
3. The input power source must be +/-5% of the rated input voltage.

#### C. Caution

1. DO NOT use the unit for equipment that requires higher current ratings than the unit is designed for, otherwise damage could occur to the unit.
2. DO NOT replace the fuse before ceasing the problems and assigned value of fuse must be used in place.



### PANEL DESCRIPTIONS



1. ON/OFF Switch
2. Power Indicator
3. Voltmeter
4. Ammeter
5. Overload Indicator
6. Easy Snap-On Output Terminals
7. Screw-On Output Terminal
8. Output Voltage Adjust Knob
9. Cooling Fan Air In-take Window
10. Fuse Holder
11. Power Cord