



NEW COMPACT ANTENNA TUNER

MAT- I 60 for KENWOOD

FEATURES

- Full Automatic And Fast Accurate Tuning
- Designed For Marine, Mobile, Outdoor and Land Base Station
- Perfect Match With Your Radio And Antenna System

GENERAL SPECIFICATIONS

Frequency Range:	1.6-30 MHz with 7m or longer antenna element
Power Supply Requirement:	13.6 VDC
Input Current:	1.5 Amps
Memory Capacity:	250
Antenna Connector:	S0-239 (50Ω)
Maximum Input Power:	PEP:150 W; Continuous: 100 W
Automatic Tuning Time:	General Condition: approx. 2 to 3 sec. (max 15sec.) Memorized Frequency: approx. 1 sec.
Automatic Tuning Accuracy:	Less than VSWR 2:1
Installation:	Mobile, Outdoor and Marine Fixed
Usable Pole Diameter:	32 to 60mm; 1.3 to 2.4 inches
Operating Temperature:	-20°C to +60°C
Housing Construction:	Waterproof ASA Plastic
Size:	7.8 × 22.5 × 39.2 cm
Weight:	2.1 kg (4.6lb)

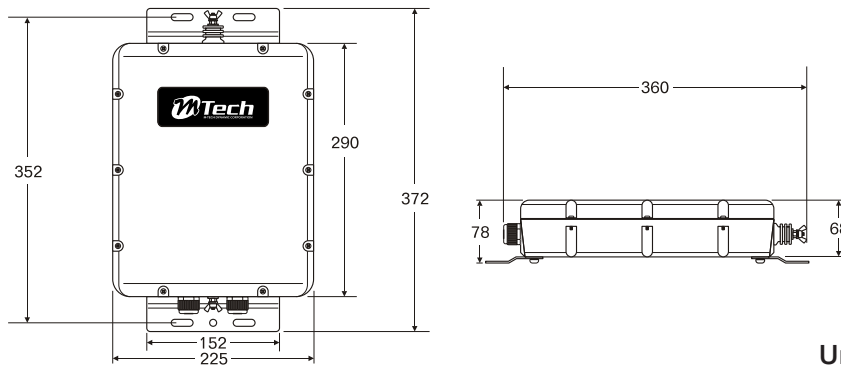




NEW COMPACT ANTENNA TUNER

MAT- I 60 for KENWOOD

DIMENSIONS

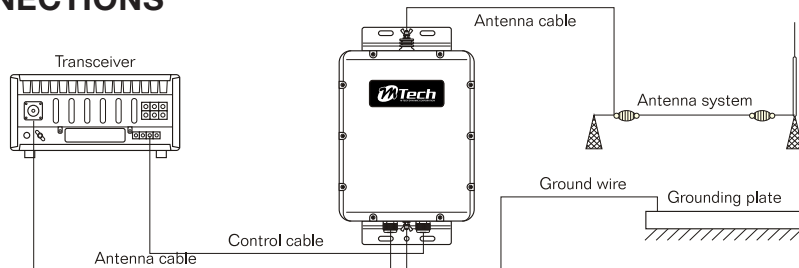


Unit: mm

STANDARD ACCESSORIES

- Mounting Kits ×1pc
- Weatherproof Cap ×1pc
- Coaxial Cable 5m ×1pc
- Control Cable 5m ×1pc
- Ground Cable 5m ×1pc

CONNECTIONS



www.m-techdynamic.com